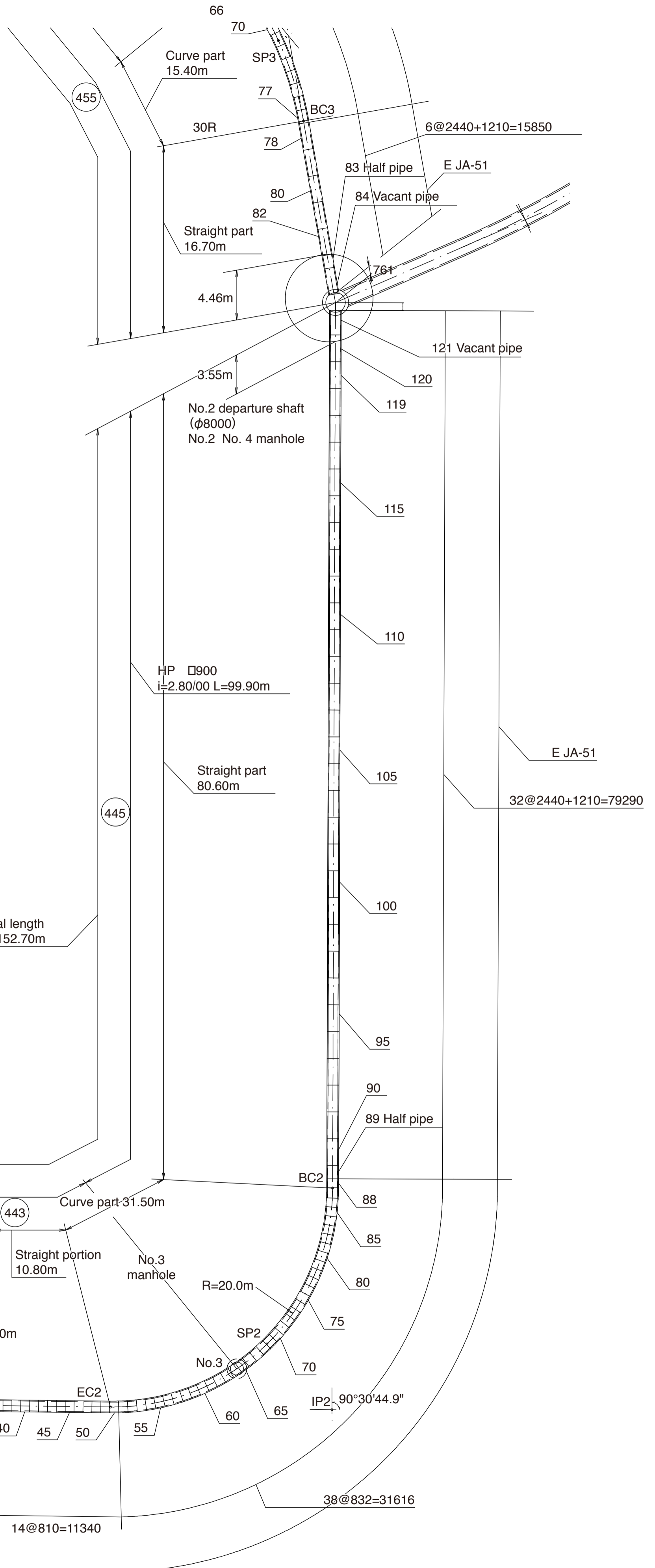
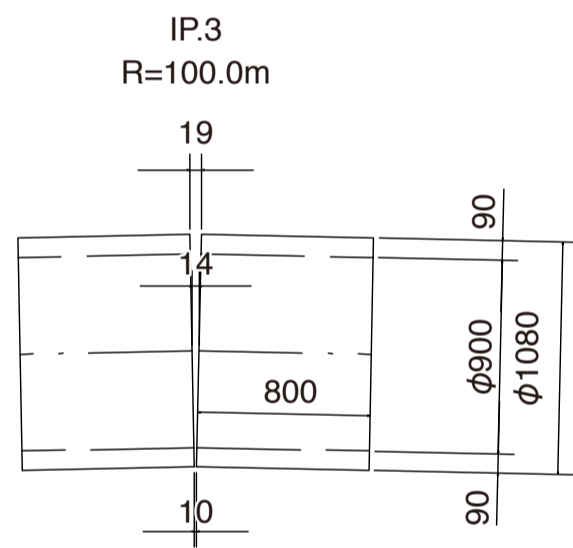
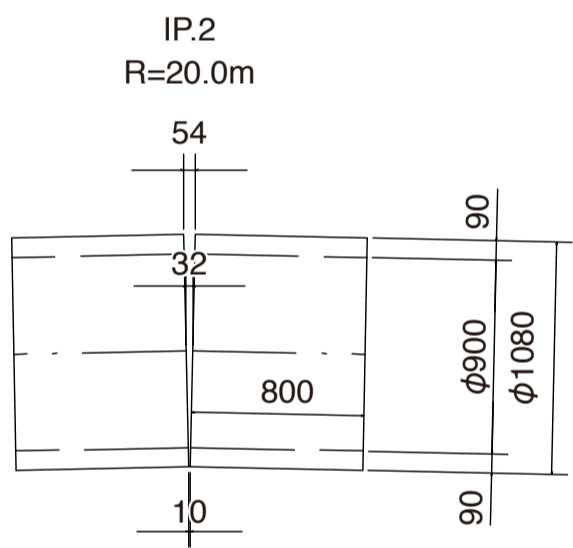


Pipe Arrangement Drawing

φ900 m/m



Top View of Curve Jacking S=1:40



Total length
L=152.70m

